



Safety Instructions

1, 2, 3, 4, 5, 7, 11, 13, 24,
28, 33, 34



Info Hotline



+49 (0) 5041 998 389

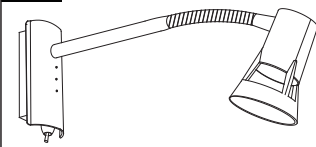
Mon. - Do. 7⁰⁰ - 20⁰⁰

Fr. 7⁰⁰ - 17⁰⁰

Paulmann Licht GmbH
Quezinger Feld 2
31832 Springe
Germany

www.paulmann.com

Art.-Nr. : 666.97
(+MA 326) PEA 04/16



1X



2X



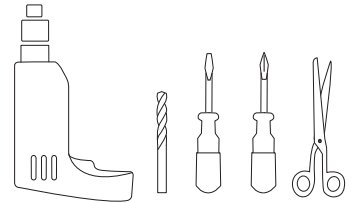
2X



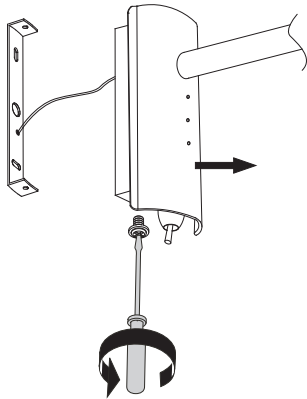
not incl.
max. 10W
GU10



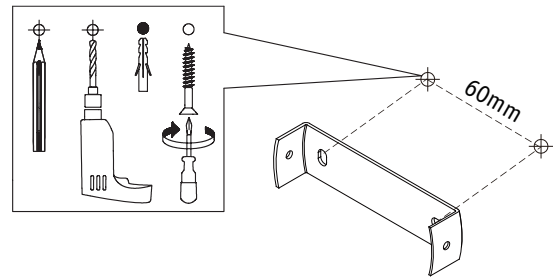
Paulmann
Art.-Nr. 284.10
www.paulmann.com



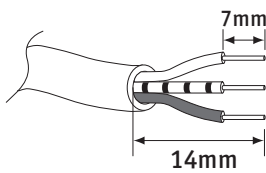
A



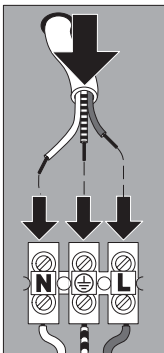
B



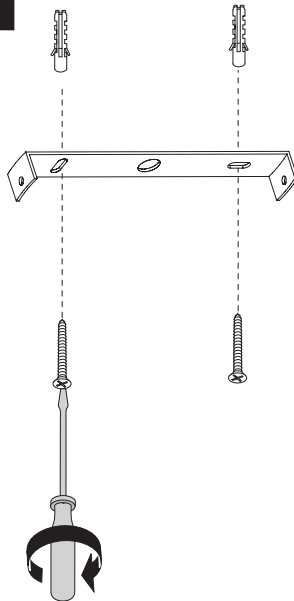
C



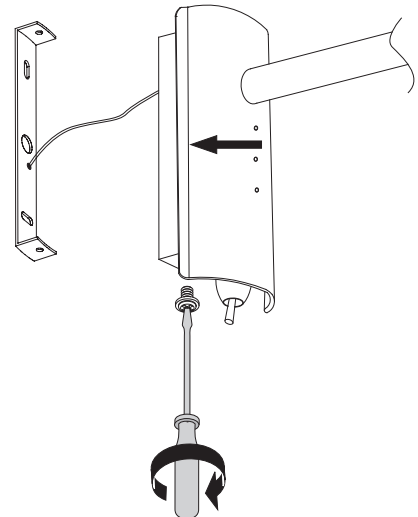
230V



D



E



F

